



ARTICULATING BOOM LIFT

# 46/25 AJ-E

ELECTRIC ROUGH TERRAIN BOOM



## Key Features

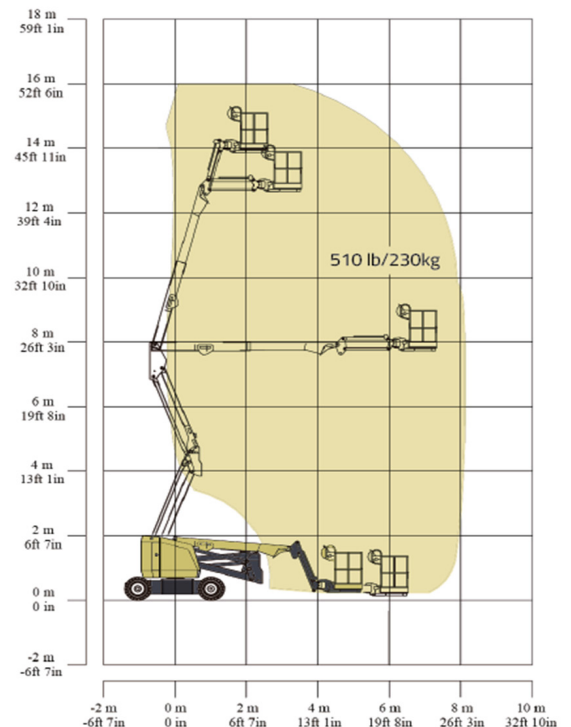
- 25' (7.5) Outreach
- Continuous Rotation Turret
- GMG 4wd with Traction Control
- Direct Electric Drive
- 510 lbs (230 kg) Platform Capacity
- 5' x 2.5' (1.5m x .76m ) Platform
- 180° Platform Rotation
- Fully Proportional Drive/Lift
- Foam Filled Tires
- Whisper Quiet Operation
- Self-closing entry gate
- On-board diagnostic system
- Load sensing system
- Auto-leveling system

Options, refer to back page

Model	46/25 AJ-E	
	US	Metric
<b>Dimension</b>		
Work Height	52ft 6in	16m
Platform Height	45ft 11in	14m
Horizontal Outreach	24ft 8in	7.05m
Up and Over Height	25ft 5in	7.74m
Stowed Length	21ft 8in	6.6m
Stowed Width	5ft 9in	1.75m
Stowed Height	6ft 7in	2m
Platform Length	5ft	1.52m
Platform Width	30in	.76m
Jib length	5ft	1.53m
Wheelbase	6ft 9in	2.05m
Ground Clearance	8in	0.20m
<b>Productivity</b>		
Platform Capacity	510lbs	230kg
Drive Speed	4.0mph	6.2km/h
Gradeability	30%	
Axles Oscillation	n/a	
Turning Radius (Inside)	2ft 7in	.79m
Turning Radius (Outside)	10ft 4in	3.15m
Turntable Swing	Continuous	
Platform Rotation	180°	
Tail Swing	zero	
Maximum Slope	5°	
Max. Wind Speed	28mph	12.5m/s
<b>Power</b>		
Battery	24x2V/440ah	
Charger	48V/60A	
Drive Motor	32V / AC	
Voltage	48V	
Drive	2wd	
Hydraulic Tank Capacity	8 gal	30L
<b>Tire / Weight</b>		
Tire	240/55 Foam Filled	
Weight	14,990 lbs	6800kg

## Standard Features

- Proportional control
- All motion alarm
- Flashing beacon
- Self-closing entry gate
- Emergency descent system
- Auto-leveling system
- On-board diagnostic system
- Load sensing system
- Horn
- Foam Filled tires
- Continuous Rotation



## Options

- AC Inverter
- Platform Lights
- Non-Marking Tires
- Power to Platform
- Hostile Cylinder Kit

## GMG Corporate Office

3428 Bullock Lane  
 San Luis Obispo, CA 93401  
 Phone: +1.805.303.2066  
 Toll Free (USA/Canada): +1.800.301.0499

## Distributed By: